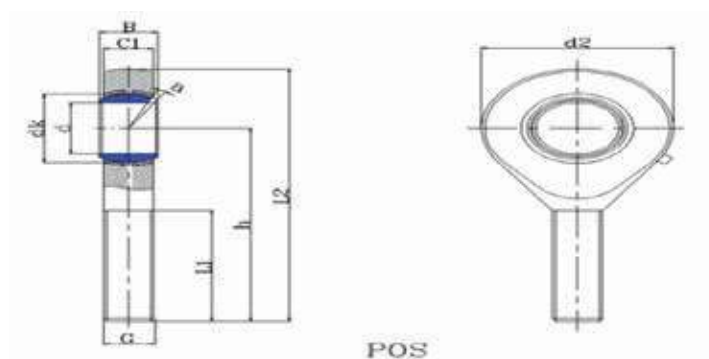


SSPHS Series

Bearing Number	Dimensions														Load ratings(KN)		Weight (kg)
	d	B	dk	C1	d2	G	h	L3	L4	L5	W	d3	d4	$\alpha^\circ \approx$	Dynamic	Static	
SSPHS5	5	8	11.11	6	16	M5*0.8	27	10	35	4	9	8.5	11	13	3.3	5.7	0.016
SSPHS6	6	9	12.70	6.75	18	M6*1.0	30	12	39	5	11	10.0	13	13	4.3	7.2	0.022
SSPHS8	8	12	15.88	9	22	M8*1.25	36	16	47	5	14	12.5	16	14	7.2	11.6	0.047
SSPHS10	10	14	19.05	10.5	26	M10*1.5	43	20	56	6.5	17	15.0	19	13	10	14.5	0.077
SSPHS12	12	16	22.23	12	30	M12*1.75	50	22	65	6.5	19	17.5	22	13	13.4	17	0.10
SSPHS16	16	21	28.58	15	40	M16*2.0	64	28	84	8	24	22.0	27	15	21.6	28.5	0.22
SSPHS20	20	25	34.93	18	50	M20*1.5	77	33	102	10	30	27.5	34	14	31.5	42.5	0.42



SSPOS Series

Bearing Number	Dimensions														Load ratings(KN)		Weight (kg)
	d	B	dk	C1	d2	G	h	L3	L4	L5	W	d3	d4	$\alpha^\circ \approx$	Dynamic	Static	
SSPOS5	5	8	11.11	6	16	M5*0.8	33	20	41	13	3.3	5.7	0.013	13	3.3	5.7	0.016
SSPOS6	6	9	12.70	6.75	18	M6*1.0	36	22	45	13	4.3	7.2	0.020	13	4.3	7.2	0.022
SSPOS8	8	12	15.88	9	22	M8*1.25	42	25	53	14	7.2	11.6	0.030	14	7.2	11.6	0.047
SSPOS10	10	14	19.05	10.5	26	M10*1.5	48	29	61	13	10.0	14.5	0.055	13	10	14.5	0.077
SSPOS12	12	16	22.23	12	30	M12*1.75	54	33	69	13	13.4	17.0	0.085	13	10	14.5	0.077
SSPOS16	16	21	28.58	15	40	M16*2.0	66	40	86	15	21.6	28.5	0.210	13	13.4	17	0.10
SSPOS20	20	25	34.93	18	50	M20*1.5	78	47	103	14	31.5	52.5	0.380	16	17	24	0.16