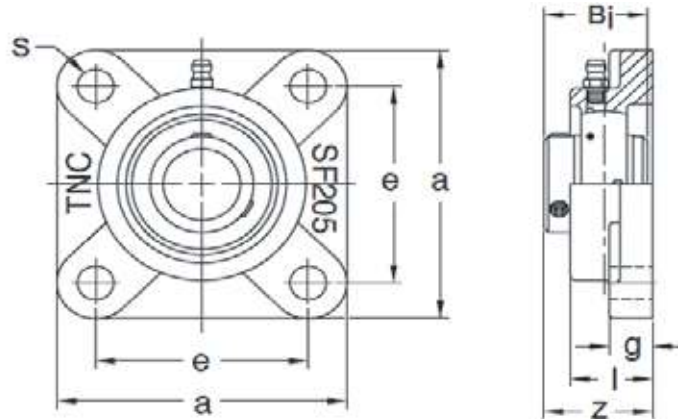


# Stainless Steel Housings



Stainless Steel F200 Series Flanged Units

Bearing Unit No.	Shaft Dia.		Dimensions (in. and mm)									Bolt in or mm	Bearing No.	Housing
	d		a	e	i	g	l	s	z	Bi	n			
	In.	mm												
SS-UC-SS-F201		12	86	64	15	12	25.5	12	33.3	31	12.7	M10	SSUC201	SSF204
SS-UC-SS-F201-08	1/2		3-3/8	2-33/64	19/32	15/32	1	15/32	1-5/16	1.2205	0.500	3/8	SSUC201-08	SSF204
SS-UC-SS-F202		15	86	64	15	12	25.5	12	33.3	31	12.7	M10	SSUC202	SSF204
SS-UC-SS-F202-10	5/8		3-3/8	2-33/64	19/32	15/32	1	15/32	1-5/16	1.2205	0.500	3/8	SSUC202-10	SSF204
SS-UC-SS-F203		17	86	64	15	12	25.5	12	33.3	31	12.7	M10	SSUC203	SSF204
SS-UC-SS-F204		20	86	64	15	12	25.5	12	33.3	31	12.7	M10	SSUC204	SSF204
SS-UC-SS-F204-12	3/4		3-3/8	2-33/64	19/32	15/32	1	15/32	1-5/16	1.2205	0.500	3/8	SSUC202-10	SSF204
SS-UC-SS-F205		25	95	70	16	14	27	12	35.8	34.1	14.3	M10	SSUC205	SSF205
SS-UC-SS-F205-16	1		3-3/4	2-3/4	5/8	35/64	1-1/16	15/32	1-13/32	1.3386	0.563	3/8	SSUC205-16	SSF205
SS-UC-SS-F206		30	108	83	18	14	31	12	40.2	38.1	15.9	M10	SSUC206	SSF206
SS-UC-SS-F206-20	1-1/4		4-1/4	3-17/64	45/64	35/64	1-7/32	15/32	1-19/32	1.5	0.626	3/8	SSUC206-20	SSF206
SS-UC-SS-F207		35	117	92	19	16	34	14	44.4	42.9	17.5	M12	SSUC207	SSF207
SS-UC-SS-F207-20	1-1/4		4-39/64	3-5/8	3/4	5/8	1-11/32	35/64	1-3/4	1.689	0.689	7/16	SSUC207-20	SSF207
SS-UC-SS-F207-22	1-3/8		4-39/64	3-5/8	3/4	5/8	1-11/32	35/64	1-3/4	1.689	0.689	7/16	SSUC207-22	SSF207
SS-UC-SS-F207-23	1-7/16		4-39/64	3-5/8	3/4	5/8	1-11/32	35/64	1-3/4	1.689	0.689	7/16	SSUC207-23	SSF207
SS-UC-SS-F208		40	130	102	21	16	36	16	51.2	49.2	19	M14	SSUC208	SSF208
SS-UC-SS-F208-24	1-1/2		5-1/8	4-1/64	53/64	5/8	1-13/32	5/8	2-1/32	1.937	0.748	1/2	SSUC208-24	SSF208
SS-UC-SS-F209		45	137	105	22	18	38	16	52.2	49.2	19	M14	SSUC209	SSF209
SS-UC-SS-F209-26	1-5/8		5-13/32	4-9/64	55/64	23/32	1-1/2	5/8	2-1/16	1.937	0.748	1/2	SSUC209-26	SSF209
SS-UC-SS-F209-28	1-3/4		5-13/32	4-9/64	55/64	23/32	1-1/2	5/8	2-1/16	1.937	0.748	1/2	SSUC209-28	SSF209
SS-UC-SS-F210		50	143	111	22	18	40	16	54.6	51.6	19	M14	SSUC210	SSF210
SS-UC-SS-F210-32	2		5-5/8	4-3/8	55/64	23/32	1-9/16	5/8	2-5/32	2.0315	0.748	1/2	SSUC210-32	SSF210