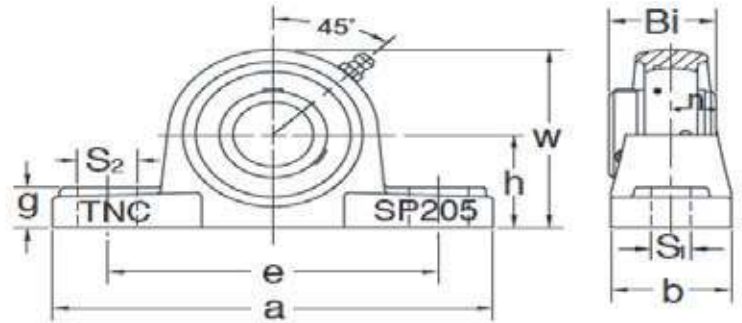




Stainless Steel Housings



Stainless Steel P200 Series Pillow Block Units

Bearing Unit No.	Shaft Dia.		Dimensions (in. and mm)										Bolt in or mm	Bearing No.	Housing
	d		h	a	e	B	S2	S1	g	w	Bi	n			
	In.	mm													
SS-UC-SS-P201		12	33.3	127	95	38	19	13	14	65	31.0	12.7	M10	SSUC201	SSP204
SS-UC-SS-P201-08	1/2		1-5/16	5	3-3/4	1-1/2	3/4	1/2	9/16	2-17/32	1.2205	0.5000	3/8	SSUC201-08	SSP204
SS-UC-SS-P202		15	33.3	127	95	38	19	13	14	65	31.0	12.7	M10	SSUC202	SSP204
SS-UC-SS-P202-10	5/8		1-5/16	5	3-3/4	1-1/2	3/4	1/2	9/16	2-17/32	1.2205	0.5000	3/8	SSUC202-10	SSP204
SS-UC-SS-P203		17	33.3	127	95	38	19	13	14	65	31.0	12.7	M10	SSUC203	SSP204
SS-UC-SS-P204		20	33.3	127	95	38	19	13	14	65	31.0	12.7	M10	SSUC204	SSP204
SS-UC-SS-P204-12	3/4		1-5/16	5	3-3/4	1-1/2	3/4	1/2	9/16	2-17/32	1.2205	0.5000	3/8	SSUC202-10	SSP204
SS-UC-SS-P205		25	36.5	140	105	38	19	13	15	71	34	14.3	M10	SSUC205	SSP205
SS-UC-SS-P205-16	1		1-7/16	5-1/2	4-1/8	1-1/2	3/4	1/2	19/32	2/25/32	1.3386	0.5630	3/8	SSUC205-16	SSP205
SS-UC-SS-P206		30	42.9	165	121	48	20	17	17	84	38.1	15.9	M14	SSUC206	SSP206
SS-UC-SS-P206-20	1-1/4		1-11/16	6-1/2	4-3/4	1-7/8	25/32	21/32	21/32	3/5/16	1.5000	0.6260	1/2	SSUC206-20	SSP206
SS-UC-SS-P207		35	47.6	167	127	48	20	17	18	93	42.9	17.5	M14	SSUC207	SSP207
SS-UC-SS-P207-20	1-1/4		1-7/8	6-9/16	5	1-7/8	25/32	21/32	45/64	3-21/32	1.6890	0.6890	1/2	SSUC207-20	SSP207
SS-UC-SS-P207-22	1-3/8		1-7/8	6-9/16	5	1-7/8	25/32	21/32	45/64	3-21/32	1.6890	0.6890	1/2	SSUC207-22	SSP207
SS-UC-SS-P207-23	1-7/16		1-7/8	6-9/16	5	1-7/8	25/32	21/32	45/64	3-21/32	1.6890	0.6890	1/2	SSUC207-23	SSP207
SS-UC-SS-P208		40	49.2	184	137	54	20	17	18	98	49.2	19	M14	SSUC208	SSP208
SS-UC-SS-P208-24	1-1/2		1-15/16	7-1/4	5-13/32	2-1/8	25/32	21/32	45/64	3-27/32	1.9370	0.7480	1/2	SSUC208-24	SSP208
SS-UC-SS-P209		45	54.0	190	146	54	20	17	20	106	49.2	19.0	M14	SSUC209	SSP209
SS-UC-SS-P209-26	1-5/8		2-1/8	7-15/32	5-3/4	2-1/8	25/32	21/32	25/32	4-3/16	1.9370	0.7480	1/2	SSUC209-26	SSP209
SS-UC-SS-P209-28	1-3/4		2-1/8	7-15/32	5-3/4	2-1/8	25/32	21/32	25/32	4-3/16	1.9370	0.7480	1/2	SSUC209-28	SSP209
SS-UC-SS-P210		50	57.2	206	159	60	23	20	21	113	51.6	19.0	M16	SSUC210	SSP210
SS-UC-SS-P210-32	2		2-1/4	8-1/8	6-1/4	2-3/8	29/32	25/32	53/64	4-7/16	2.0315	0.7480	5/8	SSUC210-32	SSP210