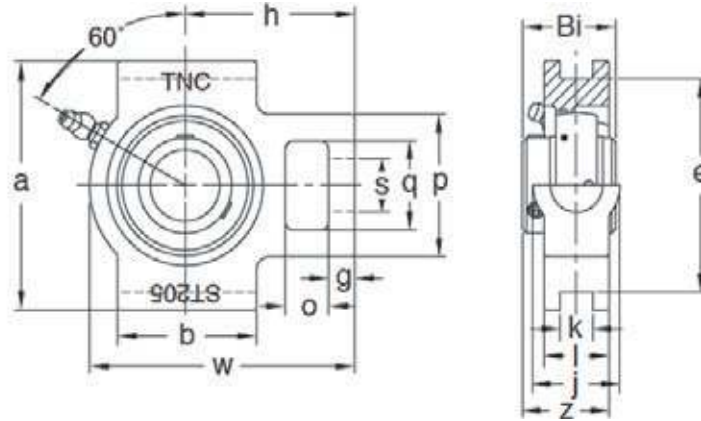


# Stainless Steel Housing



Stainless Steel T200 Series Take Up Units

Bearing Unit No.	Shaft Dia.		Dimensions (in. and mm)																	Bearing No.	Housing
	d		o	g	p	q	s	b	k	e	a	w	i	l	h	t	Bi	n			
	In.	mm																			
SS-UC-SS-T201		12	16	10	51	32	19	51	15	76	89	94	32	21	61	44.5	31	12.7	SSUC201	SST204	
SS-UC-SS-T201-08	1/2		5/8	13/32	2	1-1/4	3/4	2	15/32	2-63/64	3-1/2	3-11/16	1-1/4	15/16	2-13/32	1-3/4	1.2205	0.5000	SSUC201-08	SST204	
SS-UC-SS-T202		15	16	10	51	32	19	51	15	76	89	94	32	21	61	44.5	31	12.7	SSUC202	SST204	
SS-UC-SS-T202-10	5/8		5/8	13/32	2	1-1/4	3/4	2	15/32	2-63/64	3-1/2	3-11/16	1-1/4	15/16	2-13/32	1-3/4	1.2205	0.5000	SSUC202-10	SST204	
SS-UC-SS-T203		17	16	10	51	32	19	51	15	76	89	94	32	21	61	44.5	31	12.7	SSUC203	SST204	
SS-UC-SS-T204		20	16	10	51	32	19	51	15	76	89	94	32	21	61	44.5	31	12.7	SSUC204	SST204	
SS-UC-SS-T204-12	3/4		5/8	13/32	2	1-1/4	3/4	2	15/32	2-63/64	3-1/2	3-11/16	1-1/4	15/16	2-13/32	1-3/4	1.2205	0.5000	SSUC204-12	SST204	
SS-UC-SS-T205		25	16	10	51	32	19	51	12	76	89	97	32	24	62	48	34.1	14.3	SSUC205	SST205	
SS-UC-SS-T205-16	1		5/8	13/32	2	1-1/4	3/4	2	15/32	2-63/64	3-1/2	3-13/16	1-1/4	15/16	2-7/16	1-7/8	1.3425	0.563	SSUC205-16	SST205	
SS-UC-SS-T206		30	16	10	56	37	22	57	12	89	102	113	37	28	70	53	38.1	15.9	SSUC206	SST206	
SS-UC-SS-T206-20	1-1/4		5/8	13/32	2-7/32	1-15/32	55/64	2-1/4	15/32	3-1/2	4-1/32	4-7/16	1-15/32	1-3/32	2-3/4	2-3/32	1.500	0.626	SSUC206-20	SST206	
SS-UC-SS-T207		35	16	13	64	37	22	64	12	89	102	129	37	30	78	59.5	42.9	17.5	SSUC207	SST207	
SS-UC-SS-T207-20	1-1/4		5/8	1/2	2-17/32	1-15/32	55/64	2-17/32	15/32	3-1/2	4-1/32	5-3/32	1-15/32	1-3/16	3-1/16	2-11/32	1.689	0.748	SSUC207-20	SST207	
SS-UC-SS-T207-22	1-3/8		5/8	1/2	2-17/32	1-15/32	55/64	2-17/32	15/32	3-1/2	4-1/32	5-3/32	1-15/32	1-3/16	3-1/16	2-11/32	1.689	0.748	SSUC207-22	SST207	
SS-UC-SS-T207-23	1-7/16		5/8	1/2	2-17/32	1-15/32	55/64	2-17/32	15/32	3-1/2	4-1/32	5-3/32	1-15/32	1-3/16	3-1/16	2-11/32	1.689	0.748	SSUC207-23	SST207	
SS-UC-SS-T208		40	19	16	83	49	29	83	16	102	114	144	49	33	88	69	49.2	19	SSUC208	SST208	
SS-UC-SS-T208-24	1-1/2		3/4	5/8	3-9/32	1-15/16	1-9/64	3-9/32	5/8	4-1/64	4-1/2	5-21/32	1-15/16	1-5/16	3/15/32	2-23/32	1.937	0.748	SSUC208-24	SST208	
SS-UC-SS-T209		45	19	16	83	49	29	83	16	102	117	144	49	35	87	69	49.2	19	SSUC209	SST209	
SS-UC-SS-T209-26	1-5/8		3/4	5/8	3-9/32	1-15/16	1-9/64	3-9/32	5/8	4-1/64	4-19/32	5-21/32	1-15/16	1-3/8	3-7/16	2-23/32	1.937	0.748	SSUC209-26	SST209	
SS-UC-SS-T209-28	1-3/4		3/4	5/8	3-9/32	1-15/16	1-9/64	3-9/32	5/8	4-1/64	4-19/32	5-21/32	1-15/16	1-3/8	3-7/16	2-23/32	1.937	0.748	SSUC209-28	SST209	
SS-UC-SS-T210		50	19	16	83	49	29	86	16	102	117	149	49	37	90	74.5	51.6	19	SSUC210	SST210	
SS-UC-SS-T210-32	2		3/4	5/8	3-9/32	1-15/16	1-9/64	3-3/8	5/8	4-1/64	4-19/32	5-7/8	1-15/16	1-15/32	3-17/32	2-15/16	2.0135	0.748	SSUC210-32	SST210	