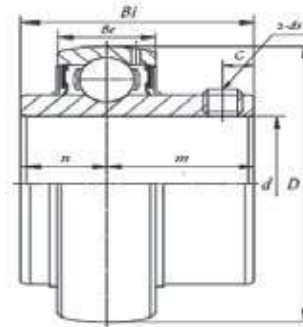


Stainless Steel Ball Bearings



Bearings &
Power Transmission Pty Ltd
Phone 07 4636 0522



UC200 (Spherical O.D.)

SS UC 200 Series

Bearing No.	Shaft Dia.		Dimensions (in. and mm)								Basic Dyn Load Rating (KN)	Basic Static Load Rating (KN)
	d		D	Bi	Be	n	m	G	ds	F		
	In.	mm							in/mm			
SS-UC201		12	47	31	17	12.7	18.3	5	M6x1	4.3	9.88	6.2
SS-UC201-08	1/2		1.8504	1.2205	0.6693	0.5000	0.7205	0.1969	1/4-28UNF	0.1693	9.88	6.2
SS-UC202		15	47	31	17	12.7	18.3	5	M6x1	4.3	9.88	6.2
SS-UC202-10	5/8		1.8504	1.2205	0.6693	0.5000	0.7205	0.1969	1/4-28UNF	0.1693	9.88	6.2
SS-UC203		17	47	31	17	12.7	18.3	5	M6x1	4.3	9.88	6.2
SS-UC204		20	47	31	17	12.7	18.3	5	M6x1	4.3	9.88	6.2
SS-UC204-12	3/4		1.8504	1.2205	0.6693	0.5000	0.7205	0.1969	1/4-28UNF	0.1693	9.88	6.2
SS-UC205		25	52	34.1	17	14.3	19.8	5	M6x1	4	10.78	6.98
SS-UC205-16	1		2.0472	1.3425	0.6693	0.5630	0.7795	0.1969	1/4-28UNF	0.1575	10.78	6.98
SS-UC206		30	62	38.1	19	15.9	22.2	5.5	M6x1	5.3	14.97	10.04
SS-UC206-20	1-1/4		2.4409	1.5000	0.7480	0.6260	0.8740	0.2165	1/4-28UNF	0.2087	14.97	10.04
SS-UC207		35	72	42.9	20	17.5	25.4	6	M8x1	5.8	19.75	13.67
SS-UC207-20	1-1/4		2.8346	1.6890	0.7874	0.6890	1	0.2362	5/16-24UNF	0.2283	19.75	13.67
SS-UC207-22	1-3/8		2.8346	1.6890	0.7874	0.6890	1	0.2362	5/16-24UNF	0.2283	19.75	13.67
SS-UC207-23			2.8346	1.6890	0.7874	0.6890	1	0.2362	5/16-24UNF	0.2283	19.75	13.67
SS-UC208		40	80	49.2	21	19	30.2	8	M8x1	6.2	22.71	15.94
SS-UC208-24	1-1/2		3.1496	1.9370	0.8268	0.7480	1.1890	0.3150	5/16-24UNF	0.2441	22.71	15.94
SS-UC209		45	85	49.2	22	19	30.2	8	M8x1	6.5	24.36	17.71
SS-UC209-26	1-5/8		3.3465	1.9370	0.8661	0.7480	1.1890	0.3150	5/16-24UNF	0.2559	24.36	17.71
SS-UC209-28	1-3/4		3.3465	1.9370	0.8661	0.7480	1.1890	0.3150	5/16-24UNF	0.2559	24.36	17.71
SS-UC210		50	90	51.6	23	19	32.6	9	M10x1.25	7	26.98	19.84
SS-UC210-32	2		3.5433	2.0315	0.9055	0.7480	1.2835	0.3543	3/8-24UNF	0.2756	26.98	19.84