

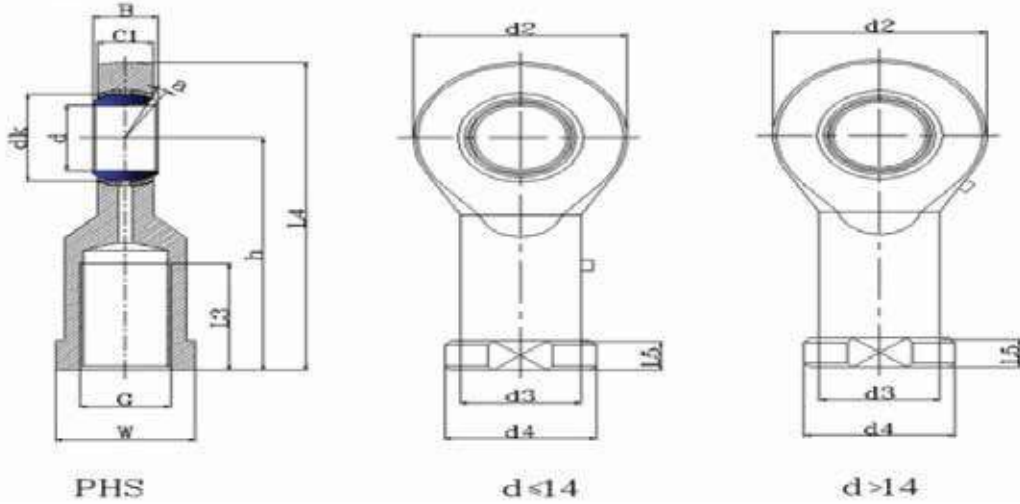
Inlaid Linear Rod Ends with Female Thread

BPT Rod Ends are manufactured with a bronze liner on the spherical surface of the outer ring and a chromium liner on the surface of the inner ring.

The surface of the rod body is zinc plated and the housing containing a lubrication hole or grease nipple.

Sliding surfaces are bronze and steel.

All rod ends are available in either left or right hand thread (Add the suffix "L" for left hand thread).



PHS Series																	
Bearing Number	Dimensions														Load ratings(KN)		
	d	B	dk	C1	d2	G	h	L3	L4	L5	W	d3	d4	a° ≈	Static		
PHS3	3	6	7.93	4.5	14	M3*0.5	21	10	28	3.3	7	6.8	8.5	14	1.8	3.7	0.008
PHS4	4	7	9.53	5.3	16	M4*0.7	24	10	32	4	8	7.8	9.5	13	2.5	4.6	0.013
PHS5	5	8	11.11	6	16	M5*0.8	27	10	35	4	9	8.5	11	13	3.3	5.7	0.016
PHS6	6	9	12.70	6.75	18	M6*1.0	30	12	39	5	11	10.0	13	13	4.3	7.2	0.022
PHS8	8	12	15.88	9	22	M8*1.25	36	16	47	5	14	12.5	16	14	7.2	11.6	0.047
PHS10	10	14	19.05	10.5	26	M10*1.5	43	20	56	6.5	17	15.0	19	13	10	14.5	0.077
PHS10-1	10	14	19.05	10.5	26	M10*1.25	43	20	56	6.5	17	15.0	19	13	10	14.5	0.077
PHS12	12	16	22.23	12	30	M12*1.75	50	22	65	6.5	19	17.5	22	13	13.4	17	0.10
PHS12-1	12	16	22.23	12	30	M12*1.25	50	22	65	6.5	19	17.5	22	13	13.4	17	0.10
PHS14	14	19	25.40	13.5	34	M14*2.0	57	25	74	8	22	20.0	25	16	17	24	0.16
PHS14-1	14	19	25.40	13.5	34	M14*1.5	57	25	74	8	22	20.0	25	16	17	24	0.16
PHS16	16	21	28.58	15	40	M16*2.0	64	28	84	8	24	22.0	27	15	21.6	28.5	0.22
PHS16-1	16	21	28.58	15	40	M16*1.5	64	28	84	8	24	22.0	27	15	21.6	28.5	0.22
PHS18	18	23	31.75	16.5	44	M18*1.5	71	32	93	10	27	25.0	31	15	26	42.5	0.32
PHS20	20	25	34.93	18	50	M20*1.5	77	33	102	10	30	27.5	34	14	31.5	42.5	0.42
PHS22	22	28	38.10	20	54	M22*1.5	84	37	111	12	32	30.0	38	15	38	57	0.54
PHS25	25	31	42.85	22	60	M24*2.0	94	42	124	12	36	33.5	42	15	47.5	68	0.73
PHS28	28	35	47.60	24	66	M27*2.0	103	48	136	14	41	37.0	46	15	58	75	0.98
PHS30	30	37	50.80	25	70	M30*2.0	110	51	145	15	41	40.0	50	17	64	88	1.10
PHS30-1	30	37	50.80	25	70	M27*2.0	110	51	145	15	41	40.0	50	17	64	88	1.10

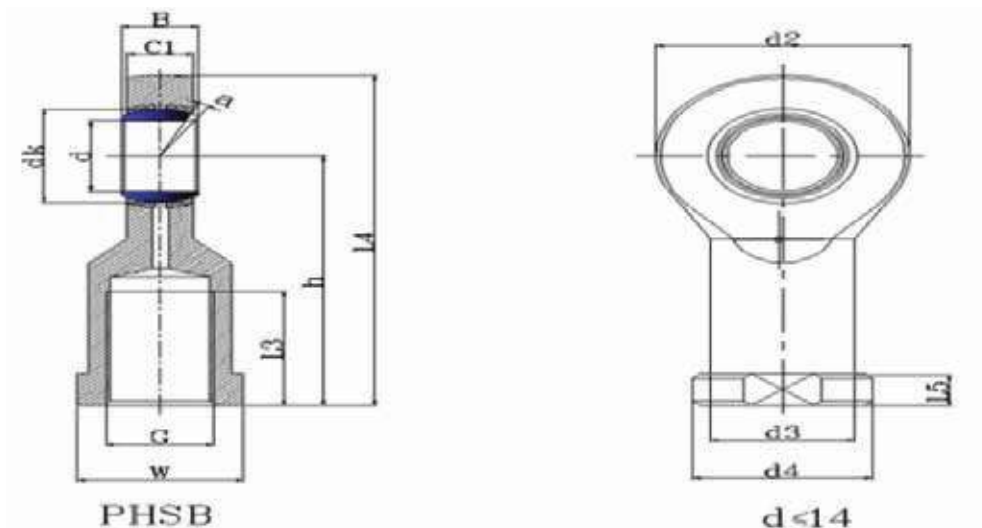
Inlaid Linear Rod Ends with Female Thread

BPT Rod Ends are manufactured with a bronze liner on the spherical surface of the outer ring and a chromium liner on the surface of the inner ring.

The surface of the rod body is zinc plated and the housing containing a lubrication hole or grease nipple.

Sliding surfaces are bronze and steel.

All rod ends are available in either left or right hand thread (Add the suffix "L" for left hand thread).



PHSB Series

Bearing Number	Dimensions														Load ratings(KN)		
	d	B	dk	C1	d2	G	h	L3	L4	L5	W	d3	d4	a°		Static	
PHSB3	4.826	7.93	11.10	6.35	15.88	10-32	26.97	14.27	34.91	4.75	7.92	7.54	10.31	10	3.4	4.6	0.015
PHSB4	6.350	9.53	12.70	7.14	19.05	1/4-28	33.32	19.05	42.85	4.75	9.53	9.15	11.91	13	4.5	7.7	0.025
PHSB5	7.938	11.10	15.88	8.74	22.23	5/16-24	34.93	19.05	46.04	4.75	11.1	10.72	12.70	10	6.9	8.4	0.036
PHSB6	9.525	12.70	18.26	10.31	25.40	3/8-24	41.28	23.80	53.98	6.35	14.27	13.89	17.45	9	9.4	10	0.061
PHSB7	11.113	14.28	20.62	11.10	28.58	7/16-20	46.02	26.97	60.31	6.35	15.88	15.49	19.05	11	11	13	0.081
PHSB8	12.700	15.88	23.81	12.70	33.32	1/2-20	53.98	30.15	70.64	6.35	19.05	18.67	22.23	9	15	19	0.133
PHSB10	15.875	19.05	28.58	14.27	38.10	5/8-18	63.50	38.10	82.55	7.92	22.23	21.84	25.40	11	20	21	0.190
PHSB12	19.050	22.23	33.32	17.45	44.45	3/4-16	73.03	44.45	95.25	7.92	25.4	25.02	28.58	10	29	29	0.285
PHSB16	25.400	34.93	47.63	25.40	69.85	5/4-12	104.78	53.98	139.7	11.1	38.1	37.72	44.45	14	60	101	1.000