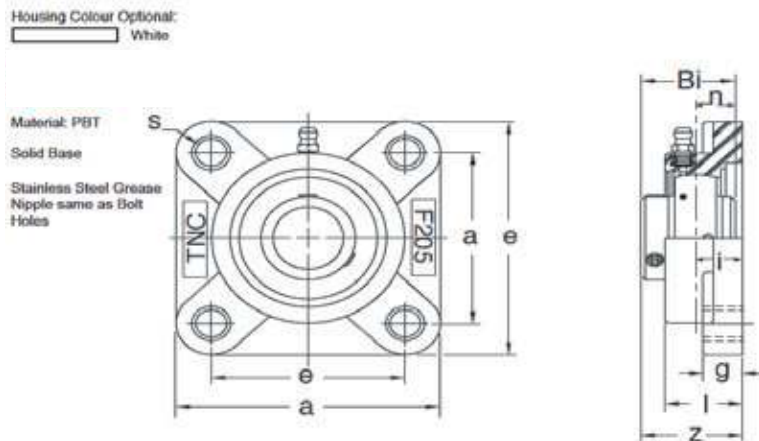


# Thermoplastic Housings



Thermoplastic Housings PLF200 Series Flanged Units

Bearing Unit No.	Shaft Dia.		Dimensions (in. and mm)									Bolt in or mm	Bearing No.	Housing
	d		a	e	i	g	l	s	z	Bi	n			
	In.	mm												
SS-UC-PL-F201		12	86	63.5	18	13.4	27.8	11	36.3	31	12.7	M10	SSUC201	PLF204
SS-UC-PL-F201-08	1/2		3-3/8	2-1/2	45/64	17/32	1-3/32	7/16	1-27/64	1.2205	0.500	3/8	SSUC201-08	PLF204
SS-UC-PL-F202		15	86	63.5	18	13.4	27.8	11	36.3	31	12.7	M10	SSUC202	PLF204
SS-UC-PL-F202-10	5/8		3-3/8	2-1/2	45/64	17/32	1-3/32	7/16	1-27/64	1.2205	0.500	3/8	SSUC202-10	PLF204
SS-UC-PL-F203		17	86	63.5	18	13.4	27.8	11	36.3	31	12.7	M10	SSUC203	PLF204
SS-UC-PL-F204		20	86	63.5	18	13.4	27.8	11	36.3	31	12.7	M10	SSUC204	PLF204
SS-UC-PL-F204-12	3/4		3-3/8	2-1/2	45/64	17/32	1-3/32	7/16	1-27/64	1.2205	0.500	3/8	SSUC202-10	PLF204
SS-UC-PL-F205		25	95	70	17	14.3	28	11	36.7	34.1	14.3	M10	SSUC205	PLF205
SS-UC-PL-F205-16	1		3-3/4	2-3/4	43/64	9/16	1-7/64	7/16	1-29/64	1.3386	0.563	3/8	SSUC205-16	PLF205
SS-UC-PL-F206		30	108	83	19.2	14.3	31.7	11	41.4	38.1	15.9	M10	SSUC206	PLF206
SS-UC-PL-F206-20	1-1/4		4-1/4	3-17/64	3/4	9/16	1-1/4	7/16	1-5/8	1.5	0.626	3/8	SSUC206-20	PLF206
SS-UC-PL-F207		35	118	92	21.5	15.5	34.8	13	46.9	42.9	17.5	M12	SSUC207	PLF207
SS-UC-PL-F207-20	1-1/4		4-5/8	3-5/8	27/32	39/64	1-3/8	33/64	1-27/32	1.689	0.689	1/2	SSUC207-20	PLF207
SS-UC-PL-F207-22	1-3/8		4-5/8	3-5/8	27/32	39/64	1-3/8	33/64	1-27/32	1.689	0.689	1/2	SSUC207-22	PLF207
SS-UC-PL-F207-23	1-7/16		4-5/8	3-5/8	27/32	39/64	1-3/8	33/64	1-27/32	1.689	0.689	1/2	SSUC207-23	PLF207
SS-UC-PL-F208		40	130	102	23	17	37.5	14	53.2	49.2	19	M12	SSUC208	PLF208
SS-UC-PL-F208-24	1-1/2		5-1/8	4-1/64	13/16	43/64	1-15/32	35/64	2-3/32	1.937	0.748	1/2	SSUC208-24	PLF208
SS-UC-PL-F209		45	137	105	24	19	41	17	54.2	49.2	19	M16	SSUC209	PLF209
SS-UC-PL-F209-26	1-5/8		5-13/32	4-9/64	31/32	3/4	1-39/64	43/64	2-9/64	1.937	0.748	5/8	SSUC209-26	PLF209
SS-UC-PL-F209-28	1-3/4		5-13/32	4-9/64	31/32	3/4	1-39/64	43/64	2-9/64	1.937	0.748	5/8	SSUC209-28	PLF209
SS-UC-PL-F210		50	143	111	25	21	43	17	57.6	51.6	19	M16	SSUC210	PLF210
SS-UC-PL-F210-32	2		5-5/8	4-3/8	63/64	53/64	1-11/16	43/64	2-17/64	2.0315	0.748	5/8	SSUC210-32	PLF210

Thermoplastic Housing Specifications - Breaking Point Test (lbf)							
Mode of Load	204	205	206	207	208	209	210
	3585	2922	4046	4159	4294	4350	4417
	2304	2731	3979	4159	4328	4350	4410
	821	753	753	791	852	865	886
Maximum Torque Values							
Ball Diameter (in. / mm)	3/8 (M10)	3/8 (M10)	3/8 (M10)	1/2 (M12)	1/2 (M12)	5/8 (M16)	5/8 (M16)
Torque (lb. / ft.)	13	18	22	25	33	36	40

Note: Open cap and back seal available