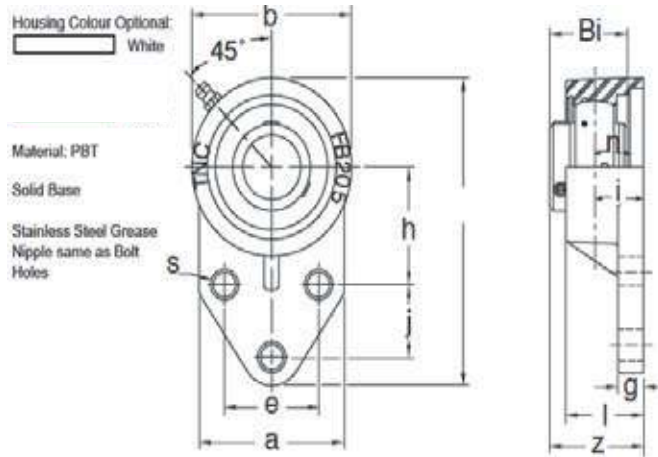


Thermoplastic Housings



Thermoplastic Housings PLFB200 Series Flanged Bracket Units

Bearing Unit No.	Shaft Dia.		Dimensions (in. and mm)													Bolt in or mm	Bearing No.	Housing
	d		a	b	f	l	s	g	h	j	e	i	z	Bi	n			
	in.	mm																
SS-UC-PL-FB201		12	108	63.5	60.3	25.4	10	8	42.3	22	38.1	15.9	34.1	31	12.7	M8	SSUC201	PLFB204
SS-UC-PL-FB201-08	1/2		4-1/4	2-1/2	2-3/8	1	25/64	5/16	1-45/64	7/8	1-1/2	5/8	1-11/32	1.2205	0.5	5/16	SSUC201-08	PLFB204
SS-UC-PL-FB202		15	108	63.5	60.3	25.4	10	8	42.3	22	38.1	15.9	34.1	31	12.7	M8	SSUC202	PLFB204
SS-UC-PL-FB202-10	5/8		4-1/4	2-1/2	2-3/8	1	25/64	5/16	1-45/64	7/8	1-1/2	5/8	1-11/32	1.2205	0.5	5/16	SSUC202-10	PLFB204
SS-UC-PL-FB203		17	108	63.5	60.3	25.4	10	8	42.3	22	38.1	15.9	34.1	31	12.7	M8	SSUC203	PLFB204
SS-UC-PL-FB204		20	108	63.5	60.3	25.4	10	8	42.3	22	38.1	15.9	34.1	31	12.7	M8	SSUC204	PLFB204
SS-UC-PL-FB204-12	3/4		4-1/4	2-1/2	2-3/8	1	25/64	5/16	1-45/64	7/8	1-1/2	5/8	1-11/32	1.2205	0.5	5/16	SSUC202-10	PLFB204
SS-UC-PL-FB205		25	121	70	63.5	28.6	10	9.5	46	28.5	41.3	15.9	36.5	34.1	14.3	M8	SSUC205	PLFB205
SS-UC-PL-FB205-16	1		4-3/4	2-3/4	2-1/2	1-1/8	25/64	3/8	1-13/16	1-1/8	1-5/8	5/8	1-7/16	1.3425	0.563	5/16	SSUC205-16	PLFB205
SS-UC-PL-FB206		30	136	82.6	70	31.7	10	9.5	52.4	31.7	47.6	16.7	40.9	38.1	15.9	M8	SSUC206	PLFB206
SS-UC-PL-FB206-20	1-1/4		5-3/8	3-1/4	2-3/4	1-1/4	25/64	3/8	2-1/16	1-1/4	1-7/8	21/32	1-39/64	1.5	0.626	5/16	SSUC206-20	PLFB206
SS-UC-PL-FB207		35	156	95.3	82.6	36.5	13	12.7	60.3	31.7	50.8	18.6	46.4	42.9	17.5	M8	SSUC207	PLFB207
SS-UC-PL-FB207-20	1-1/4		6-1/8	3-3/4	3-1/4	1-7/16	33/64	1/2	2-3/8	1-1/4	2	47/64	1-53/64	1.689	0.689	5/16	SSUC207-20	PLFB207
SS-UC-PL-FB207-22	1-3/8		6-1/8	3-3/4	3-1/4	1-7/16	33/64	1/2	2-3/8	1-1/4	2	47/64	1-53/64	1.689	0.689	5/16	SSUC207-22	PLFB207
SS-UC-PL-FB207-23	1-7/16		6-1/8	3-3/4	3-1/4	1-7/16	33/64	1/2	2-3/8	1-1/4	2	47/64	1-53/64	1.689	0.689	5/16	SSUC207-23	PLFB207
SS-UC-PL-FB208		40	164	100	78	35.7	12	15.9	60.3	41.3	50	21	51.2	49.2	19	M10	SSUC208	PLFB208
SS-UC-PL-FB208-24	1-1/2		6-15/32	3-15/16	3-1/16	1-13/32	15/32	5/8	2-3/8	1-5/8	1-31/32	53/64	2-1/64	1.937	0.748	3/8	SSUC208-24	PLFB208

Note: Open cap and back seal available

Thermoplastic Housing Specifications - Breaking Point Test (lbf.)				
Mode of Load	204	205	206	207
	1620	2050	2745	2900
	2070	2500	2655	2680
	585	630	651	700