

Thermoplastic Housings

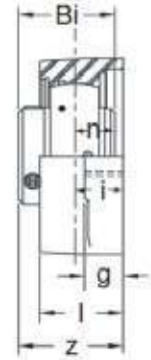
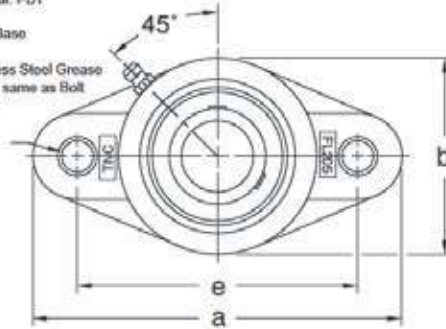


Housing Colour Optional:
White

Material: PBT

Solid Base

Stainless Steel Grease
Nipple same as Bolt
Holes



Thermoplastic Housings PLFL200 Oval Flanged Units

Bearing Unit No.	Shaft Dia.		Dimensions (in. and mm)										Bolt in or mm	Bearing No.	Hous- ing
	d		a	e	i	g	l	s	b	z	Bi	n			
	In.	mm													
SS-UC-PL-FL201		12	113	90	15.4	11.4	26.5	11	63.5	33.7	31	12.7	M10	SSUC201	PLFL204
SS-UC-PL-FL201-08	1/2		4-7/16	3-35/64	39/64	29/64	1-3/64	7/16	2-1/2	1-21/64	1.2205	0.5	3/8	SSUC201-08	PLFL204
SS-UC-PL-FL202		15	113	90	15.4	11.4	26.5	11	63.5	33.7	31	12.7	M10	SSUC202	PLFL204
SS-UC-PL-FL202-10	5/8		4-7/16	3-35/64	39/64	29/64	1-3/64	7/16	2-1/2	1-21/64	1.2205	0.5	3/8	SSUC202-10	PLFL204
SS-UC-PL-FL203		17	113	90	15.4	11.4	26.5	11	63.5	33.7	31	12.7	M10	SSUC203	PLFL204
SS-UC-PL-FL204		20	113	90	15.4	11.4	26.5	11	63.5	33.7	31	12.7	M10	SSUC204	PLFL204
SS-UC-PL-FL204-12	3/4		4-7/16	3-35/64	39/64	29/64	1-3/64	7/16	2-1/2	1-21/64	1.2205	0.5	3/8	SSUC202-10	PLFL204
SS-UC-PL-FL205		25	130	99	17	13.5	29.1	11	69.9	36.7	34.1	14.3	M14	SSUC205	PLFL205
SS-UC-PL-FL205-16	1		5-1/8	3-57/64	43/64	17/32	1-9/64	7/16	2-3/4	1-29/64	1.3386	0.563	1/2	SSUC205-16	PLFL205
SS-UC-PL-FL206		30	148	117	19	13.3	30.5	11	80	41.2	38.1	15.9	M14	SSUC206	PLFL206
SS-UC-PL-FL206-20	1-1/4		5-13/16	4-39/64	3/4	33/64	1-13/64	7/16	3-5/32	1-5/8	1.5	0.626	1/2	SSUC206-20	PLFL206
SS-UC-PL-FL207		35	164	130	18	16.1	32.8	13	90	43.4	42.9	17.5	M14	SSUC207	PLFL207
SS-UC-PL-FL207-20	1-1/4		6-7/8	5-1/8	23/32	41/64	1-19/64	33/64	3-17/32	1-45/64	1.689	0.689	1/2	SSUC207-20	PLFL207
SS-UC-PL-FL207-22	1-3/8		6-7/8	5-1/8	23/32	41/64	1-19/64	33/64	3-17/32	1-45/64	1.689	0.689	1/2	SSUC207-22	PLFL207
SS-UC-PL-FL207-23	1-7/16		6-7/8	5-1/8	23/32	41/64	1-19/64	33/64	3-17/32	1-45/64	1.689	0.689	1/2	SSUC207-23	PLFL207
SS-UC-PL-FL208		40	175	144	21.5	20	37.5	14	100	51.7	49.2	19	M14	SSUC208	PLFL208
SS-UC-PL-FL208-24	1-1/2		6-7/8	5-43/64	27/32	25/32	1-31/64	35/64	3-15/16	2-1/32	1.937	0.748	1/2	SSUC208-24	PLFL208
SS-UC-PL-FL209		45	188	148	24	21	41	17	108	54.2	49.2	19	M16	SSUC209	PLFL209
SS-UC-PL-FL209-26	1-5/8		7-13/32	5-53/64	31/32	53/64	1-39/64	43/64	4-1/4	2-9/64	1.937	0.748	5/8	SSUC209-26	PLFL209
SS-UC-PL-FL209-28	1-3/4		7-13/32	5-53/64	31/32	53/64	1-39/64	43/64	4-1/4	2-9/64	1.937	0.748	5/8	SSUC209-28	PLFL209
SS-UC-PL-FL210		50	197	157	25	21	43	17	115	57.6	51.6	19	M16	SSUC210	PLFL210
SS-UC-PL-FL210-32	2		7-3/4	6-3/16	63/64	53/64	1-11/16	43/64	4-17/32	2-17/64	2.0315	0.748	5/8	SSUC210-32	PLFL210

Thermoplastic Housing Specifications - Breaking Point Test (Bf.)

Mode of Load	204	205	206	207	208	209	210
	2642	2567	3698	3799	3900	3956	4035
	2473	3114	3001	3136	3159	3214	3270
	1910	2495	3102	3350	3409	3450	3518
Maximum Torque Values							
Shaft Diameter (in. / mm)	3/8 (M10)	3/8 (M10)	3/8 (M10)	1/2 (M12)	1/2 (M12)	5/8 (M16)	5/8 (M16)
Torque (lb. in.)	13	18	22	25	33	36	40

Note: Open cap and back seal available