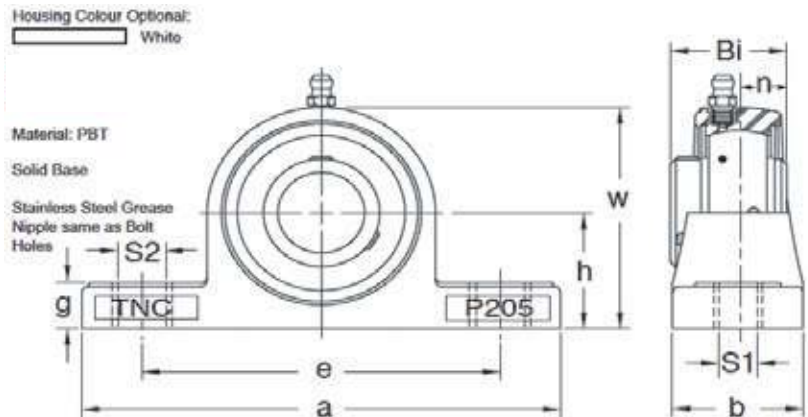


# Thermoplastic Housings



## Thermoplastic Housings PLP200 Series Pillow Block Units

Bearing Unit No.	Shaft Dia.		Dimensions (in. and mm)										Bolt in or mm	Bearing No.	Housing
	d		h	a	e	B	S2	S1	g	w	Bi	n			
	In.	mm													
SS-UC-PL-P201		12	33.3	127	95	38	14	11	14	65	31.0	12.7	M10	SSUC201	PL-P204
SS-UC-PL-P201-08	1/2		1-5/16	5	3-3/4	1-1/2	35/64	7/16	9/16	2-17/32	1.2205	0.5000	3/8	SSUC201-08	PL-P204
SS-UC-PL-P202		15	33.3	127	95	38	14	11	14	65	31.0	12.7	M10	SSUC202	PL-P204
SS-UC-PL-P202-10	5/8		1-5/16	5	3-3/4	1-1/2	35/64	7/16	9/16	2-17/32	1.2205	0.5000	3/8	SSUC202-10	PL-P204
SS-UC-PL-P203		17	33.3	127	95	38	14	11	14	65	31.0	12.7	M10	SSUC203	PL-P204
SS-UC-PL-P204		20	33.3	127	95	38	14	11	14	65	31.0	12.7	M10	SSUC204	PL-P204
SS-UC-PL-P204-12	3/4		1-5/16	5	3-3/4	1-1/2	35/64	7/16	9/16	2-17/32	1.2205	0.5000	3/8	SSUC202-10	PL-P204
SS-UC-PL-P205		25	36.5	140	105	38	14	11	15	71	34	14.3	M10	SSUC205	PL-P205
SS-UC-PL-P205-16	1		1-7/16	5-1/2	4-1/8	1-1/2	35/64	7/16	19/32	2/25/32	1.3386	0.5630	3/8	SSUC205-16	PL-P205
SS-UC-PL-P206		30	42.9	165	121	48	18	14	17	84	38.1	15.9	M14	SSUC206	PL-P206
SS-UC-PL-P206-20	1-1/4		1-11/16	6-1/2	4-3/4	1-7/8	23/32	35/64	21/32	3/5/16	1.5000	0.6260	1/2	SSUC206-20	PL-P206
SS-UC-PL-P207		35	47.6	167	127	48	18	14	18	93	42.9	17.5	M14	SSUC207	PL-P207
SS-UC-PL-P207-20	1-1/4		1-7/8	6-9/16	5	1-7/8	23/32	35/64	45/64	3-21/32	1.6890	0.6890	1/2	SSUC207-20	PL-P207
SS-UC-PL-P207-22	1-3/8		1-7/8	6-9/16	5	1-7/8	23/32	35/64	45/64	3-21/32	1.6890	0.6890	1/2	SSUC207-22	PL-P207
SS-UC-PL-P207-23	1-7/16		1-7/8	6-9/16	5	1-7/8	23/32	35/64	45/64	3-21/32	1.6890	0.6890	1/2	SSUC207-23	PL-P207
SS-UC-PL-P208		40	49.2	184	137	54	18	14	18	98	49.2	19	M14	SSUC208	PL-P208
SS-UC-PL-P208-24	1-1/2		1-15/16	7-1/4	5-13/32	2-1/8	23/32	35/64	45/64	3-27/32	1.9370	0.7480	1/2	SSUC208-24	PL-P208
SS-UC-PL-P209		45	54.0	190	146	54	20	17	20	106	49.2	19.0	M14	SSUC209	PL-P209
SS-UC-PL-P209-26	1-5/8		2-1/8	7-15/32	5-3/4	2-1/8	25/32	43/64	25/32	4-3/16	1.9370	0.7480	1/2	SSUC209-26	PL-P209
SS-UC-PL-P209-28	1-3/4		2-1/8	7-15/32	5-3/4	2-1/8	25/32	43/64	25/32	4-3/16	1.9370	0.7480	1/2	SSUC209-28	PL-P209
SS-UC-PL-P210		50	57.2	206	159	60	23	17	20	113	51.6	19.0	M16	SSUC210	PL-P210
SS-UC-PL-P210-32	2		2-1/4	8-1/8	6-1/4	2-3/8	29/32	43/64	25/32	4-7/16	2.0315	0.7480	5/8	SSUC210-32	PL-P210

Thermoplastic Housing Specifications - Breaking Point Test (lbf.)							
Mode of Load	204	205	206	207	208	209	210
	1978	3080	2844	2868	2945	3003	3113
	1731	2448	2383	2428	2485	2562	2641
	1124	1821	1292	1686	1910	2012	2146
Maximum Torque Values							
Ball Diameter (in. / mm)	3/8 (M10)	3/8 (M10)	1/2 (M12)	1/2 (M12)	1/2 (M12)	5/8 (M16)	5/8 (M16)
Torque (lb. in.)	13	18	22	25	33	36	40

Note: Open cap and back seal available