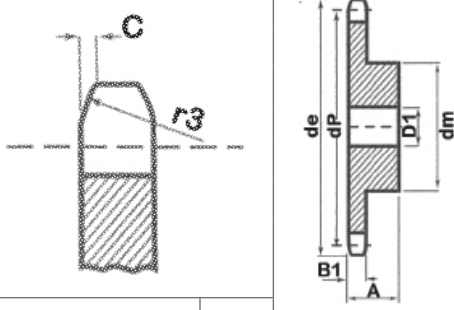
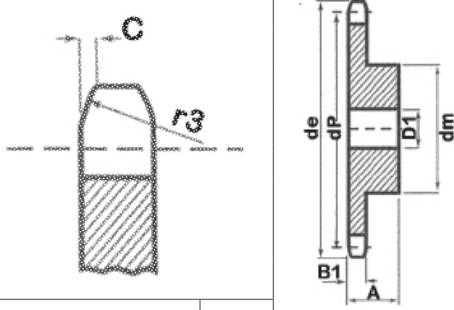




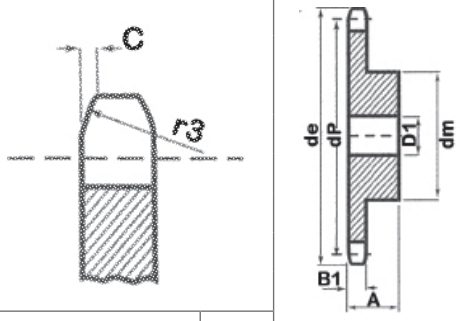
06B-1 Sprocket		Teeth	de	dp	Simplex			
					dm	D1	A	App. Kg
		13	43.5	39.8	28	8	25	0.11
		15	49.5	45.81	34	8	25	0.14
		17	55.5	51.83	40	10	28	0.20
		19	61.6	57.87	45	10	28	0.25
		21	67.6	63.91	48	12	28	0.36
		23	73.7	69.95	52	12	28	0.39
		25	79.7	76	57	12	28	0.41
		27	85.7	82.04	60	12	28	0.44
		30	94.8	91.12	60	12	28	0.48
		38	119	115.3	70	16	30	0.77
Pinions mm								
Tooth Radius r3								
Radius Width C								
Tooth Width B1		5.3						
Tooth Width b1								
Chain mm								
Pitch		9.53						
Inside		5.72						
Roller ø		6.35						

08B-1 Sprocket		Teeth	de	dp	Simplex			
					dm	D1	A	App. Kg
		13	57.9	53.06	37	10	28	0.25
		15	65.9	61.09	45	10	28	0.33
		17	74	69.11	52	12	28	0.51
		19	82	77.16	60	12	28	0.65
		21	90.1	85.22	68	14	28	0.82
		23	98.1	93.27	70	14	28	1.05
		25	106.2	101.3	70	14	28	1.13
		27	114.2	109.4	70	16	30	1.19
		30	126.3	121.5	80	16	30	1.36
		38	158.6	153.8	90	16	35	1.78
Pinions mm								
Tooth Radius r3								
Radius Width C								
Tooth Width B1		7.2						
Tooth Width b1								
Chain mm								
Pitch		12.7						
Inside		7.75						
Roller ø		8.51						

10B-1 Sprocket		Teeth	de	dp	Simplex			App. Kg																		
					dm	D1	A																			
 <table border="1"> <tr> <td>Pinions</td> <td>mm</td> </tr> <tr> <td>Tooth Radius r3</td> <td></td> </tr> <tr> <td>Radius Width C</td> <td></td> </tr> <tr> <td>Tooth Width B1</td> <td>9.1</td> </tr> <tr> <td>Tooth Width b1</td> <td></td> </tr> <tr> <td>Chain</td> <td>mm</td> </tr> <tr> <td>Pitch</td> <td>5.88</td> </tr> <tr> <td>Inside</td> <td>9.65</td> </tr> <tr> <td>Roller ϕ</td> <td>10.2</td> </tr> </table>		Pinions	mm	Tooth Radius r3		Radius Width C		Tooth Width B1	9.1	Tooth Width b1		Chain	mm	Pitch	5.88	Inside	9.65	Roller ϕ	10.2	13	87.8	79.59	58	16	35	0.75
		Pinions	mm																							
		Tooth Radius r3																								
		Radius Width C																								
		Tooth Width B1	9.1																							
		Tooth Width b1																								
		Chain	mm																							
		Pitch	5.88																							
		Inside	9.65																							
		Roller ϕ	10.2																							
		15	99.8	91.63	70	16	35	1.14																		
		17	111.9	103.7	80	16	35	1.46																		
		19	123.9	115.8	80	16	35	1.78																		
21	136	127.8	90	20	40	2.27																				
23	148.1	139.9	90	20	40	2.49																				
25	160.2	152	90	20	40	2.78																				
27	172.3	164.1	95	20	40	3.05																				
30	190.4	182.3	95	20	40	3.44																				
38	238.9	230.1	100	25	40	4.92																				

12B-1 Sprocket		Teeth	de	dp	Simplex			App. Kg																		
					dm	D1	A																			
 <table border="1"> <tr> <td>Pinions</td> <td>mm</td> </tr> <tr> <td>Tooth Radius r3</td> <td></td> </tr> <tr> <td>Radius Width C</td> <td></td> </tr> <tr> <td>Tooth Width B1</td> <td>11.1</td> </tr> <tr> <td>Tooth Width b1</td> <td></td> </tr> <tr> <td>Chain</td> <td>mm</td> </tr> <tr> <td>Pitch</td> <td>19.05</td> </tr> <tr> <td>Inside</td> <td>11.68</td> </tr> <tr> <td>Roller ϕ</td> <td>12.07</td> </tr> </table>		Pinions	mm	Tooth Radius r3		Radius Width C		Tooth Width B1	11.1	Tooth Width b1		Chain	mm	Pitch	19.05	Inside	11.68	Roller ϕ	12.07	13	87.8	79.59	58	16	35	0.75
		Pinions	mm																							
		Tooth Radius r3																								
		Radius Width C																								
		Tooth Width B1	11.1																							
		Tooth Width b1																								
		Chain	mm																							
		Pitch	19.05																							
		Inside	11.68																							
		Roller ϕ	12.07																							
		15	99.8	91.63	70	16	35	1.14																		
		17	111.9	103.7	80	16	35	1.46																		
		19	123.9	115.8	80	16	35	1.78																		
21	136	127.8	90	20	40	2.27																				
23	148.1	139.9	90	20	40	2.49																				
25	160.2	152	90	20	40	2.78																				
27	172.3	164.1	95	20	40	3.05																				
30	190.4	182.3	95	20	40	3.44																				
38	238.9	230.1	100	25	40	4.92																				



16B-1 Sprocket		Teeth	de	dp	Simplex																						
					dm	D1	A	App. Kg																			
		13	117.7	106.1	78	16	40	1.94																			
		15	133.7	122.2	92	16	40	2.59																			
		17	149.8	138.2	100	20	45	3.18																			
		19	165.9	154.4	100	20	45	3.86																			
		21	182	170.4	110	20	50	4.54																			
		23	198.1	186.5	110	20	50	5.08																			
		25	214.2	202.7	110	20	50	5.76																			
		27	230.4	218.8	120	20	50	7.53																			
		30	254.6	243	120	20	50	8.26																			
		38	319.2	307.6	120	25	50	11.12																			
<table border="1"> <thead> <tr> <th>Pinions</th> <th>mm</th> </tr> </thead> <tbody> <tr> <td>Tooth Radius r3</td> <td></td> </tr> <tr> <td>Radius Width C</td> <td></td> </tr> <tr> <td>Tooth Width B1</td> <td>16.2</td> </tr> <tr> <td>Tooth Width b1</td> <td></td> </tr> <tr> <td></td> <td></td> </tr> <tr> <th>Chain</th> <th>mm</th> </tr> <tr> <td>Pitch</td> <td>25.4</td> </tr> <tr> <td>Inside</td> <td>17</td> </tr> <tr> <td>Roller ϕ</td> <td>15.88</td> </tr> </tbody> </table>		Pinions	mm	Tooth Radius r3		Radius Width C		Tooth Width B1	16.2	Tooth Width b1				Chain	mm	Pitch	25.4	Inside	17	Roller ϕ	15.88						
Pinions	mm																										
Tooth Radius r3																											
Radius Width C																											
Tooth Width B1	16.2																										
Tooth Width b1																											
Chain	mm																										
Pitch	25.4																										
Inside	17																										
Roller ϕ	15.88																										

