

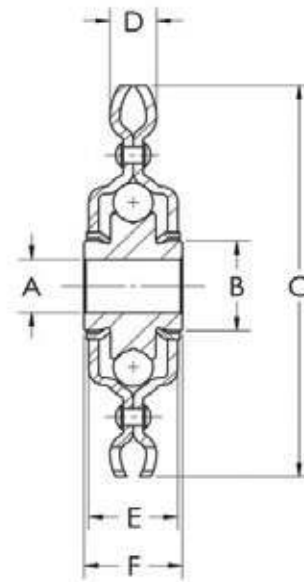
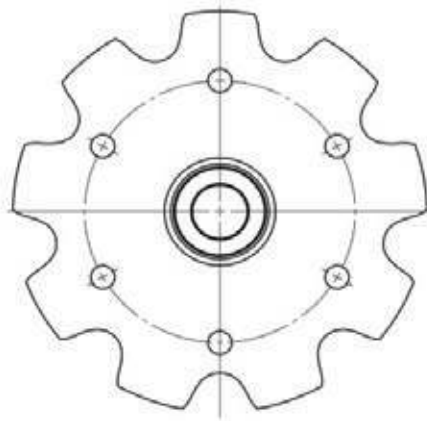
# Sprocket Idlers

These sprocket idlers are designed for extended pitch chain. They are installed with standard 1/2 or 5/8 bolts, and include accurately contoured hardened teeth to resist wear and damage to the chain. BPT idlers are compact and easy to install and built for a long maintenance-free service life. Typical applications include gathering chains on corn heads and other harvesting equipment.

### ADVANTAGES

- Case hardened teeth prolong chain and idler life. Accurately contoured teeth from heavy gauge steel
- Over-size, factory packed lubricant chamber assures maximum life and operating efficiency without troublesome relubrication
- Bearing races are hardened to resist wear, outers and inners are accurately formed for smooth running
- BPT's self-contouring, free running, self-wiping seal provides positive contact under all conditions of misalignment
- Full ball complement for high durability

## Double Pitch Chain Idlers



PART NO.	UNIT	CHAIN NO	PITCH	ROLLER DIA	TEETH	A	B	C	D	E	F	WEIGHT (LBS / kg)
AG2416-B	Inch	2050	1-1/4	.400	9	.643 / .649	7/8	3-27/32	11/32	51/64	.927	.75
	mm		31.75	10.16		16.332/16.484	22.225	97.631	8.731	20.240	23.545	.340