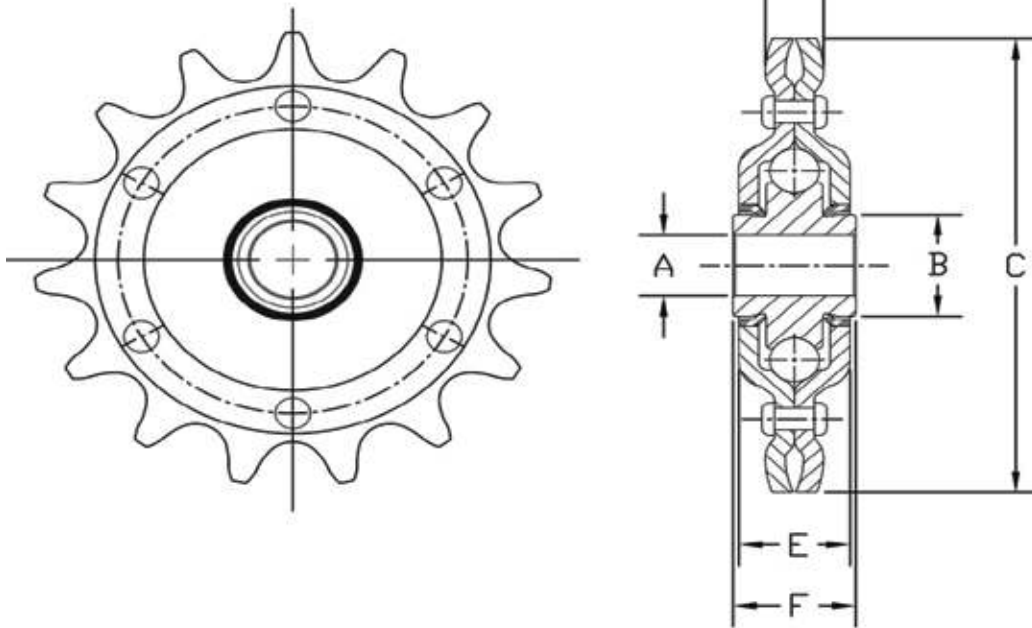


Single Pitch Chain Idlers



PART NO.	UNIT	CHAIN NO	PITCH	ROLLER DIA	TEETH	A	B	C	D	E	F	WEIGHT (LBS / kg)
AG2318-S	Inch	40 or 41	1/2	.312 / .306	18	.643 / .649	1	3-1/16	15/64	45/64	.750	.42
	mm			7.924/7.772		16.322/16.484						25.4
AG2318-A	Inch	40 or 41	1/2	.312, .306	18	.516/.522	1	3-1/16	15/64	45/64	.750	.45
	mm			7.924/7.772		13.106/13.258						25.4
AG2416	Inch	50	5/8	.400	17	.643/.649	7/8	3-5/8	11/32	51/64	.927	.74
	mm			10.16		16.322/16.484						22.225
AG2416-9**	Inch	50	5/8	.400	17	.643/.649	7/8	3-5/8	11/32	51/64	.927	.74
	mm			10.16		16.322/16.484						22.225
AG2416-A	Inch	50	5/8	.400	17	.516/.522	7/8	3-5/8	11/32	51/64	.927	.77
	mm			10.16		13.106/13.258						22.225
AG2416-A6**	Inch	50	5/8	.400	17	.516/.522	7/8	3-5/8	11/32	51/64	1.125	.77
	mm			10.16		13.106/13.258						22.225
AG2416-AP	Inch	50	5/8	.400	17	.516/.522	7/8	3-5/8	11/32	51/64	.927	.77
	mm			10.16		13.106/13.258						22.225
AG2436*	Inch	50	5/8	.400	17	.643/.649	7/8	3-5/8	11/32	27/32	.927	.98
	mm			10.16		16.322/16.484						22.225
AG2436-A*	Inch	50	5/8	.400	17	.516/.522	7/8	3-5/8	11/32	27/32	.927	1.01
	mm			10.16		13.106/13.258						22.225
AG2417	Inch	60	3/4	15/32	15	.643/.649	7/8	3-29/32	7/16	53/64	.927	.80
	mm			11.906		16.322/16.484						22.225
AG2417-A	Inch	60	3/4	15/32	15	.516/.522	7/8	3-5/8	11/32	53/64	.927	.83
	mm			11.906		13.106/13.258						22.225
AG2437*	Inch	60	3/4	15/32	15	.643/.649	7/8	3-5/8	11/32	27/32	.927	1.08
	mm			11.906		16.322/16.484						22.225
AG2437-9**	Inch	60	3/4	15/32	15	.643/.649	7/8	3-5/8	11/32	27/32	.927	1.08
	mm			11.906		16.322/16.484						22.225
AG2437-A*	Inch	60	3/4	15/32	15	.516/.522	7/8	3-5/8	11/32	27/32	.927	1.11
	mm			11.906		13.106/13.258						22.225
AG2437-A9**	Inch	60	3/4	15/32	15	.516/522	7/8	3-5/8	11/32	27/32	.927	1.11
	mm			11.906		13.106/13.258						22.225

*Extra Heavy Gauge Steel

**Zinc Plated Yellow Hexavalent Chromium Finish