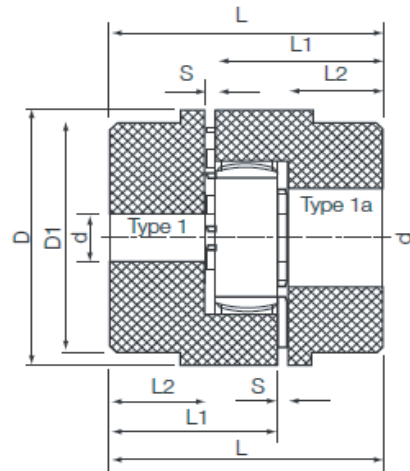
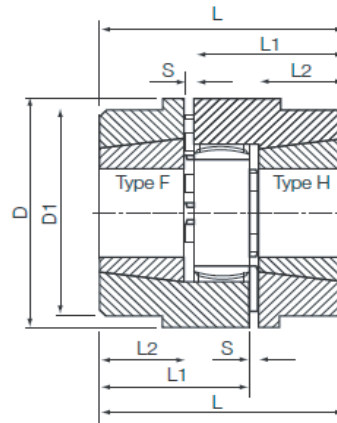


Curve Jaw (Rotex) Couplings



Curve Jaw (Rotex) Couplings (Pilot Bore)

TYPE	Hub Type	Max Speed RPM	Rated Torque (Nm)		D	D1	d-min	d-max	S	L1	L2	L	Mass kg/hub
			92 Sh A YELLOW	98 Sh A RED									
GE19	1	19000	10	17	40	32	6	19	1.0	39	25	65	0.19
	1a												
GE24	1	14000	35	60	56	40	9	24	1.0	46	30	77	0.38
	1a												
GE28	1	11800	95	160	65	48	10	28	1.5	52.5	35	89	0.62
	1a												
GE38	1	9500	190	325	80	66	12	38	1.0	66	45	112	1.36
	1a												
GE42	1	8000	265	450	95	75	14	42	1.0	73	50	124	2.03
	1a												
GE48	1	7100	310	525	105	85	15	48	1.5	80.5	56	138	2.85
	1a												
GE55	1	6300	410	685	120	98	20	55	2.0	91	65	158	4.32
	1a												
GE65	1	5600	625	940	135	115	22	65	1.5	105.5	75	182	6.66
	1a												
GE75	1	4750	1280	1920	160	135	30	75	1.0	120	85	206	10.48
	1a												
GE90	1	3750	2400	3600	200	160	40	90	1.5	139.5	100	241	17.89
	1a												



Curve Jaw (Rotex) Couplings (Taperlock)

TYPE	Max Speed RPM	Rated Torque (Nm)		Bush Size	Max Bore	D	D1	S	L1	L2	L	Mass kg/hub
		92 Sh A YELLOW	98 Sh A RED									
28 F	11800	95	160	1108	28	65	-	1.5	40.5	23	65	0.46
28 H				1108	28	65	-	1.5	40.5	23	65	0.46
38 F	9500	190	325	1108	28	80	78	1	44	23	68	0.79
38 H				1108	28	80	78	1	44	23	68	0.79
42 F	8000	265	450	1610	42	95	94	1	49	26	76	1.1
42 H				1610	42	95	94	1	49	26	76	1.1
48 F	7100	310	525	1615	42	105	104	1.5	63.5	39	104	2.07
48 H				1615	42	105	104	1.5	63.5	39	104	2.07
55 F	6300	410	685	2012	50	120	118	2	59	33	94	2.22
55 H				2012	50	120	118	2	59	33	94	2.22
65 F	5600	625	940	2012	50	135	133	1.5	63.5	33	98	3.14
65 H				2517	65	135	133	1.5	75.5	45	122	4.03
75 F	4750	1280	1920	2517	65	160	135	1	81	46	128	4.69
75 H				3020	75	160	135	1	87	52	140	4.99
90 F	3750	2400	3600	3020	75	200	160	1.5	91.5	52	145	7.74
90 H				3525	100	200	160	1.5	103.5	64	169	8.74