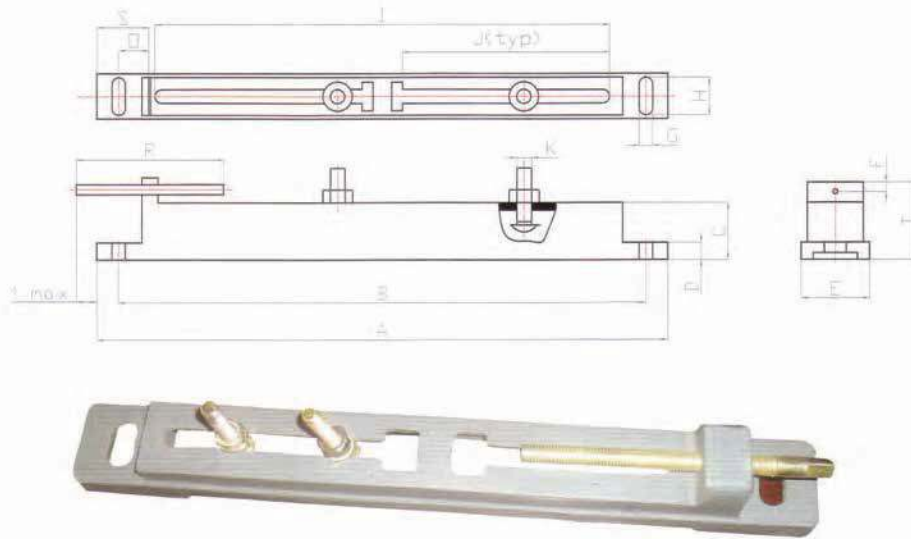




Motor Rail



Frame Size	MR08090	MR100132	MR160180	MR220225	MR250280	MR315355
A	380	475	567	790	945	1220
B	328	425	515	780	870	1115
C	30	37	48	60	70	125
D	15	19	19	32	38	40
E	48	70	72	92	105	122
F	10	10	11	18	16	22
G	15	14	18	20	21	30
H	25	35	35	20	21	30
I	245	340	380	610	725	920
J	95	150	162	285	305	420
K	8	10	12	16	20	24
M	75	135	115	200	240	285
N	25	26	28	30	35	50
O	40	42	57	60	70	105
R	145	200	200	290	380	450
S	65	68	85	90	105	155
T	50	62	70	92	110	170
Weight KGS	3	8.5	10	22	40	105